

Users' manual for Projector Motorized Lift A11



Brief introduction

A11 projector motorized lift is the latest product of LEEMC Company. Double scissors configuration, screw rod direct driving. Its advantages are ultra-thin, stable running, nicely orientation, low noise, easy operation, handsome exterior. It is a good accessory for exact projector.

It can be hidden in the ceiling when it is out of use. You only need to press a button when you want to use the projector. After usage you can press the button and the projector will come back to the ceiling. It can not only give good protection to the projector and also save space.

Dimension of the product	450*415*120
Dimension of the installation panel	430*415
Distance between the holes on the installation panel	400*385
Dimension of the decoration panel (and the height of the screw poles)	485*420*300
Distance between the holes on the decoration panel	400*385
Maximum dimension of the projector	450*380*200
Minimum distance between the real and fake ceiling	400
Maximum running distance	300
Loading capacity	16
Net weight	26
Voltage	220V

(actual size please see the product)

Operation circumstance requirement:

1. the temperature between -10°C ~ $+40^{\circ}\text{C}$;
2. humidity less than 95%;
3. away from the causticity air;
4. way from the organic solvent air and flammability air;
5. power voltage at 220V ($\pm 10\%$);
6. void hard shocking and hitting.

Accessories:

1. Projector panel for connecting and fixing the projector
2. Universal claw using for adjusting the projector level, up and down, left and right.

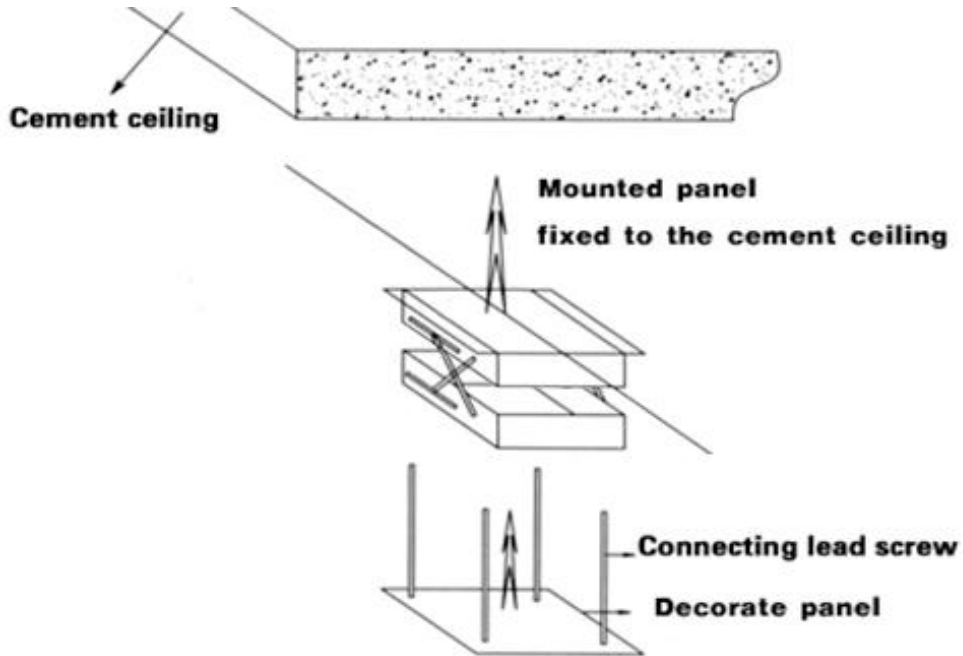
Remark: The height of projector supportation panel+universal claw is 80mm~130mm. (Different panel has different height)

Installation steps:

1. When installation, you should make sure to get the right position to install the lift according to the direction and position of the projector.
2. First, make a hole in the fake ceiling or the table according to the size of the decoration panel of the lift. The dimension of the hole should be a little smaller than the decoration panel. (please measure the dimension of the actual product)
3. After make the hole for the lift, you should make a backup hole near it (size: 500mmX400mm, about 100mm~200mm near the lift), for repairing the lift, in case of any accident happened during the lift running, or the power shutdown accidentally.
4. Put the lift into the hole, and fix the installation panel to the ceiling by 6 pcs of $\Phi 10\text{mm}$ expansion bolts. You should make sure to get the right position for the 6 expansion bolts then install them. The expansion bolts need enough depth to ensure the supporting strength. Do not let the lift close to the steam pipe, hot wind pipe and central air conditioner and other heating device.
5. Then you can install the projector on the lift by the universal head and universal claw.
6. If it is put on a table, you can put the projector into interlayer directly; also you can put it on the universal claw.
7. Install decoration panel on the lift.
8. Make sure the power supplier has double brake power switch, and installed 2A fuse. The cross section of the copper core power wires and the controlling wires should not less than 1.5mm^2 . The power switch and operation button should close to the lift, and make sure that when you operate on the switch and button, you can see the movement of the lift.
9. The lift should be connected with good ground wire, and the grounded resistance should not over 4Ω , and the cross section of the copper core of the ground wire should not less than 1.5mm^2 , and make sure that it use different color for easy identification.
10. Then have the power on. If it is higher or lower, you can adjust the height by adjusting the screw poles to adjust the height of decoration panel, and then get the right position; If still can not meet the requirement, you need to put down the lift, release the screws on the upside

cover panel, and disassemble the cover panel, and then adjust the upwards/downwards running distance.

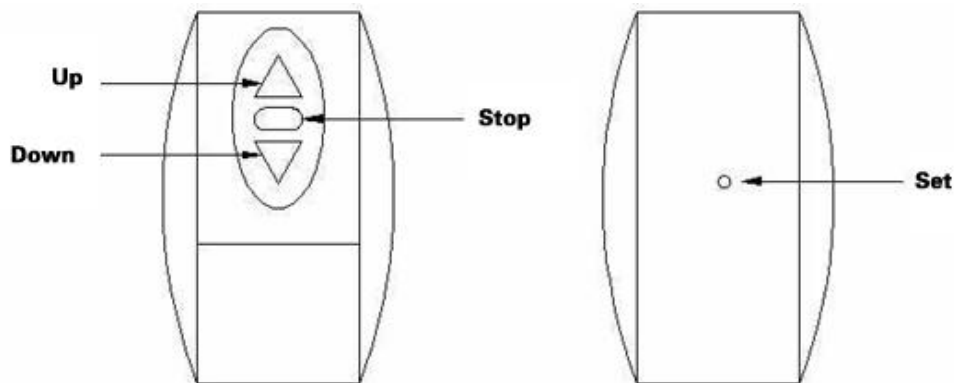
11. Make sure the decoration panel and table or ceiling keep in the same level.



Cautions:

1. when the lift running, it is forbidden for anybody standing under it.
2. it is forbidden to put the hand or other objects into the cross of the lift when it is running, to avoid any injury or accident.
3. do not start the machine frequently

Instruction for remote control function keys:



Wireless remote control receiving distance is 20 meters

Malfunction and elimination:

(When new installation or used motorized lift has malfunction and need to check by yourself, the first thing you should do is contact with our company and then checks it after our permission.)

◆ Moveless

- ◇ Check the electrical source terminal and make sure the voltage in gear or not. If not you should check power supply line.
- ◇ If the electrical source in gear please check whether the button tie wire loose or not; the fuse is in good condition or not; switch line of upstroke and stroke down are loose or not.
- ◇ Lift still in the upper point and can not down, please check whether the switch blocks or not.

◆ Press both up and down buttons could not work, but hear quiver sound and it is not strong.

- ◇ Check whether the capacitor punctures or not; short circuit and the tie wire contact good or not. At that time the motor will fever severely, please cut out the electrical source lest burnout motor.

◆ Both up and down can move, but the machine emit strong noise.

- ◇ Check transmission gear or rack if it is locked of the gear cracking;
- ◇ Check gear and rack's joggle to make sure if mal-position or not;
- ◇ Check rack shaft liner if it is fell off or not;
- ◇ Check gear and rack's clearance to make sure if it is supper-big or not.