

Instruction sheet LEEMC LCD step motorized lift

Model number: LCD85-3C

1. Specification

1.1. Exterior dimension:

D: 870mm

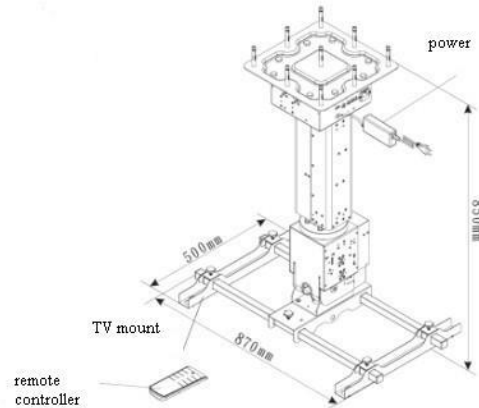
W: 500mm









H: 850mm

1.2. spare parts:

Remark:

A: Please use the spare parts from our factory, in order to avoid any accident please don't use any other spare parts without ap

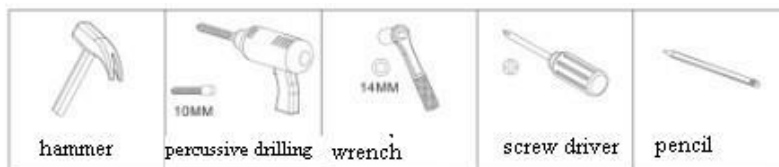


① 2pcs	② 2pcs	③ 2pcs	④ 2pcs	⑤ 2pcs
 M5*25/W0*30/M8*35 (mm)	 M5/M6/M8 (mm)	 M5*23/M6*25/M8*30 (mm)	 M5/M6/M8 (mm)	 M5/M6/M8 (mm)
⑥ 9pcs	⑦ 6pcs	⑧ 1pcs		
 9*70mm	 W6*1 Run			

proval.

B: Please check all the spare parts, please contact us if any losing and damage.

1.3. install tooling(factory not supply)



2. electric specification

2.1. voltage Input, output current

A: input voltage/current/frequency: 100-240V,AC

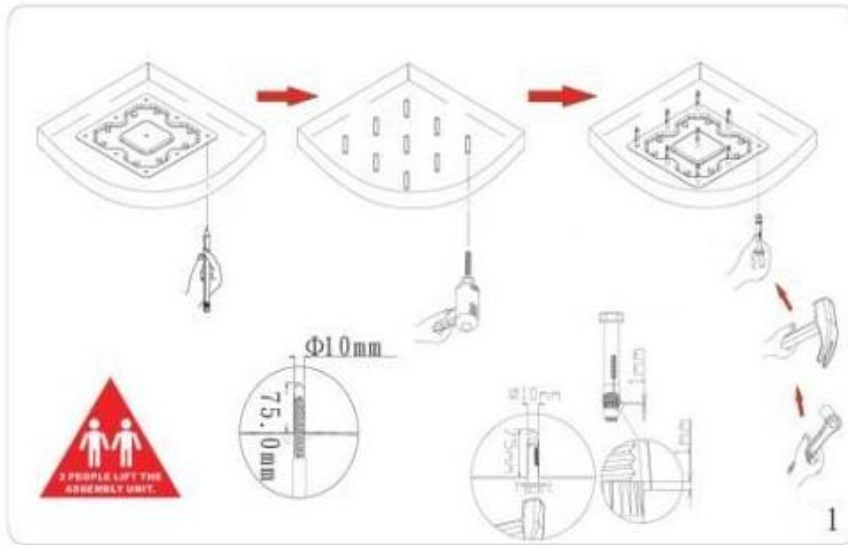
B: output current: DC240V,3A

2.2. Motor

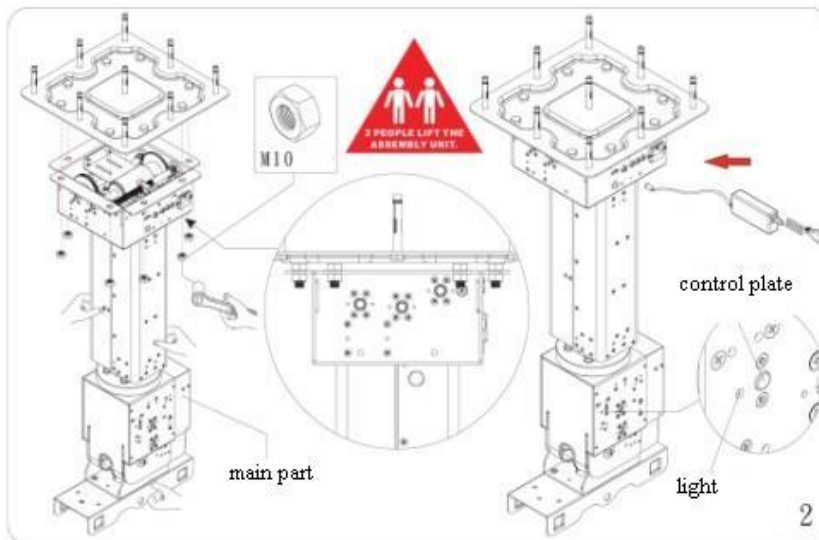
Type	Voltage	No-load current	Load current	Temperature
DN3435-3046	DC24V	≤0.5A	≤1.5A	-20°C~50°C
PR545AG-12300-IG32-721	DC24V	≤0.3A	≤0.5A	-20°C~50°C

3. Installation

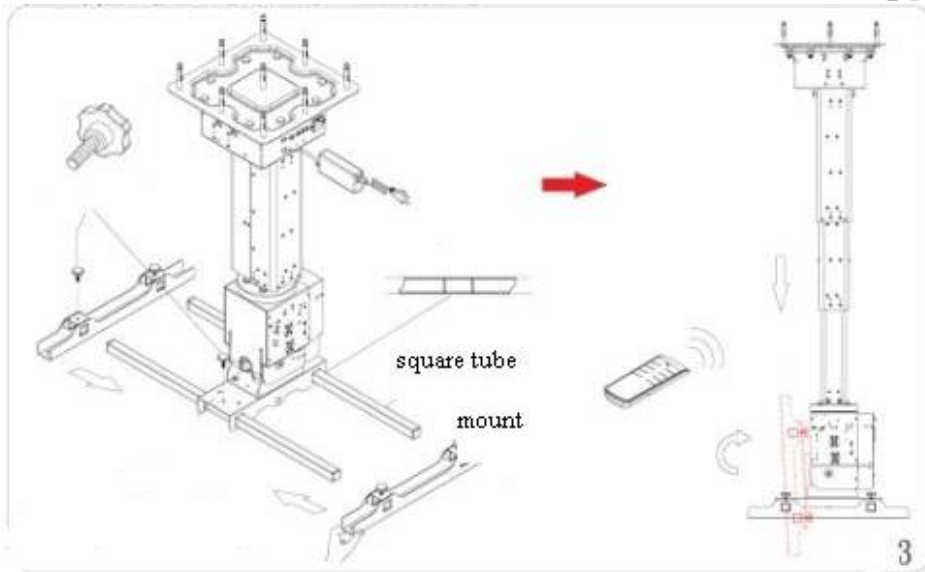
3.1. Make sure the wall is firm enough for this product to be mounted. Make the note on the ceiling by the pencil, use the percussive drilling to make the holes :depth :75mm,long:10mm.Put the 9pcs screws⑥ to the holes.(photo1)



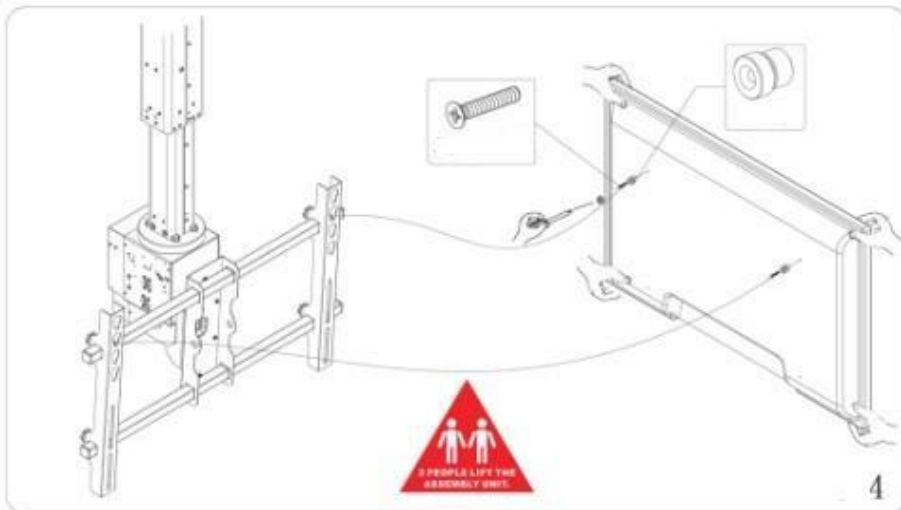
3.2. Take away 8pcs screws, 2 people lift and install the main part, and mount the top plate. Connect the power.
(photo2)



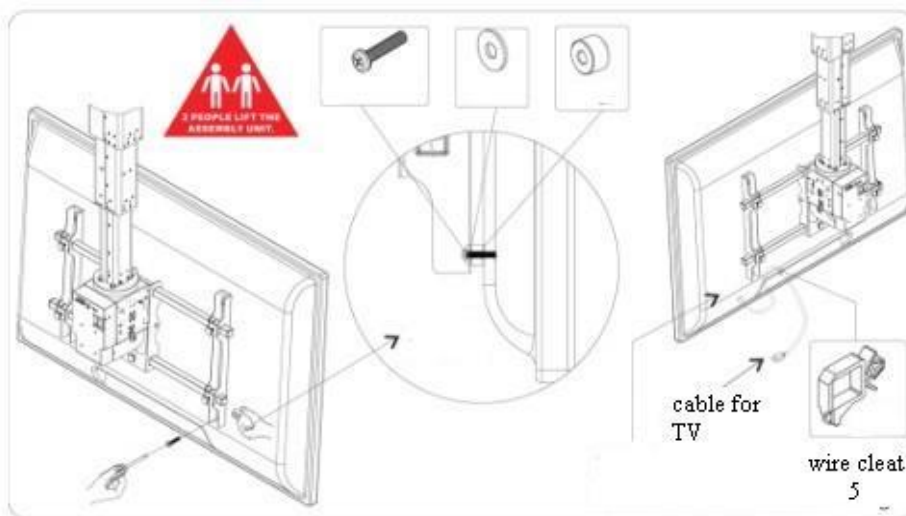
3.3. Insert the square tube to the plate by 2pcs ⑦ screws. Install the TV mounts on the two sides of the tubes. Adjust the position based on the holes on the back side of the TV by the 4pcs ⑦ screws. Press the button “on” in the remote controller to let the product down.(photo3)



3.4. Install screws ① & ② to the back side of the TV. Then mount the TV to the plate. (photo 4)

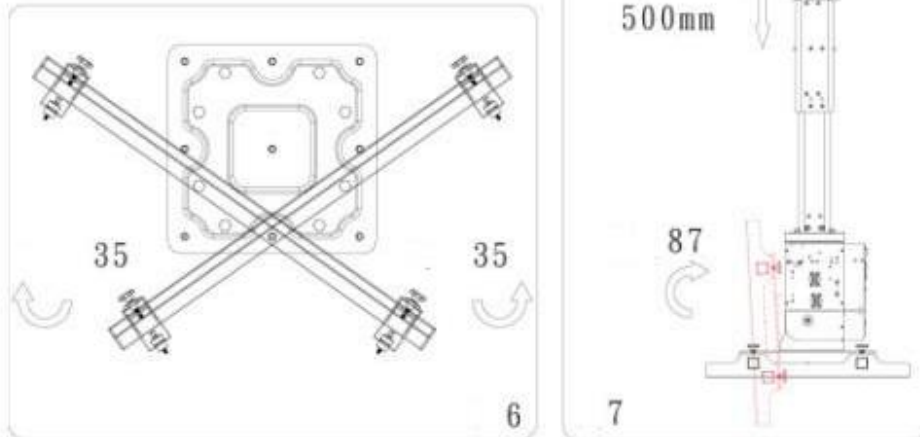


3.5. Use the screws ③ ④ ⑤ to tighten the TV and the mount. Put the cable of the TV to the wire cleat. (photo 5)



4.

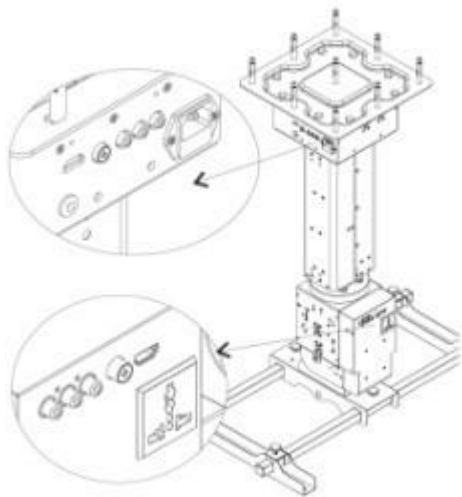
4-1, The tv can be controlled turn left and right for 35°, pitching 87°, distance 500mm



4.2 connectors:

A: connectors on the top side of the unit: power input/video input/audio input/TV signal input. Connect those inputs into the TV on the bracket. Please don't connect to the TV directly.

B: connectors on the bottom side of the unit: power /video output/audio output/TV signal



5. Parameter:

	Fit for LCD(inc h)	Exterior Size(mm)	Install max size(mm)	Install min size(mm)	Load capacity (kg)	Left/right angel	Up/down angel	Net W(kg)
LCD85-3C	46-50	870*500*850	830*450	600*300	50	±35	0-87	34.3±10

5. Remark:

