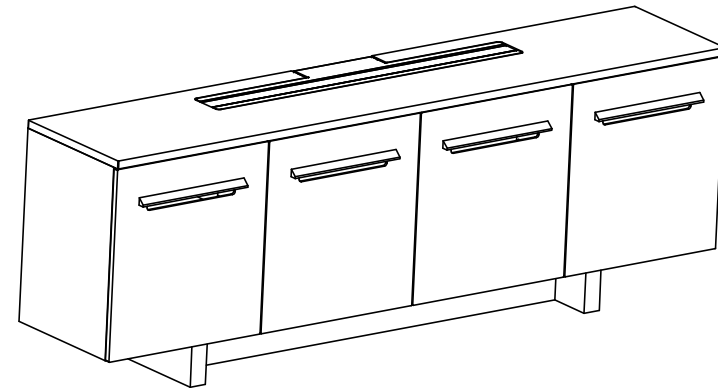
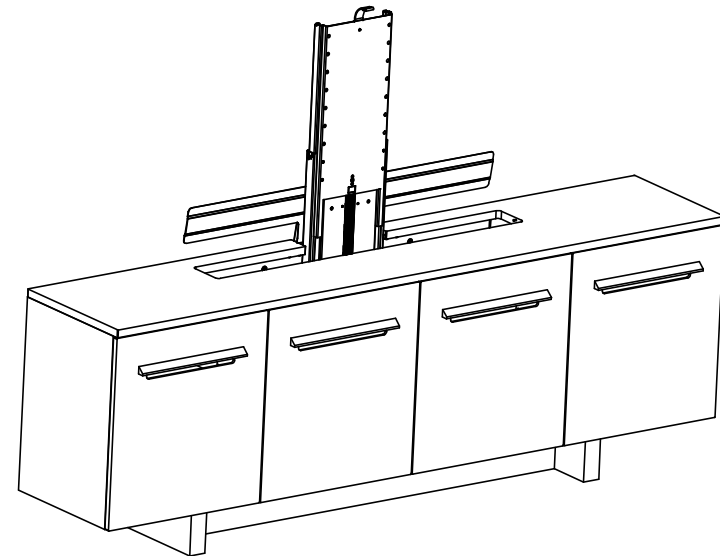


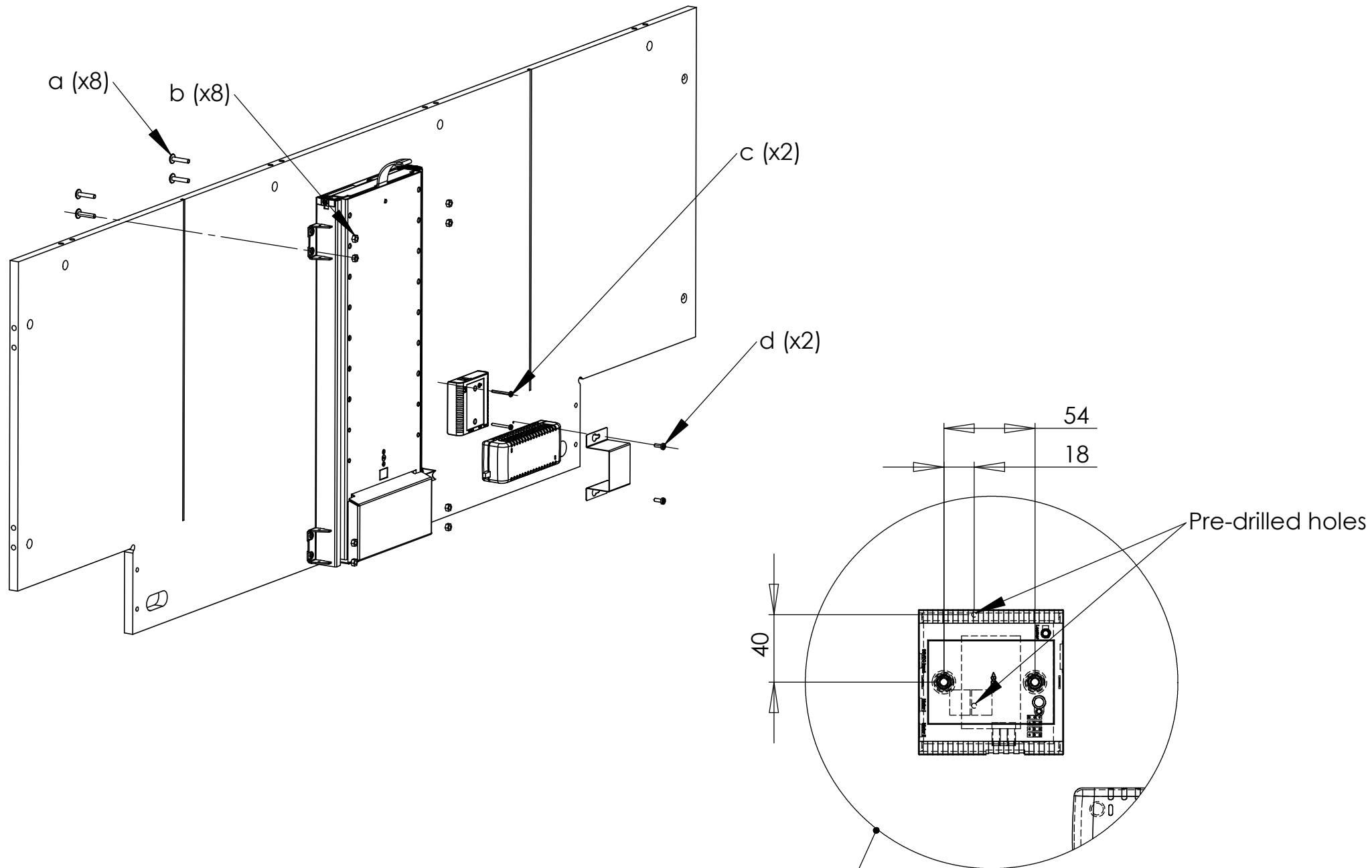
Mounting instruction, TS700 Cabinet



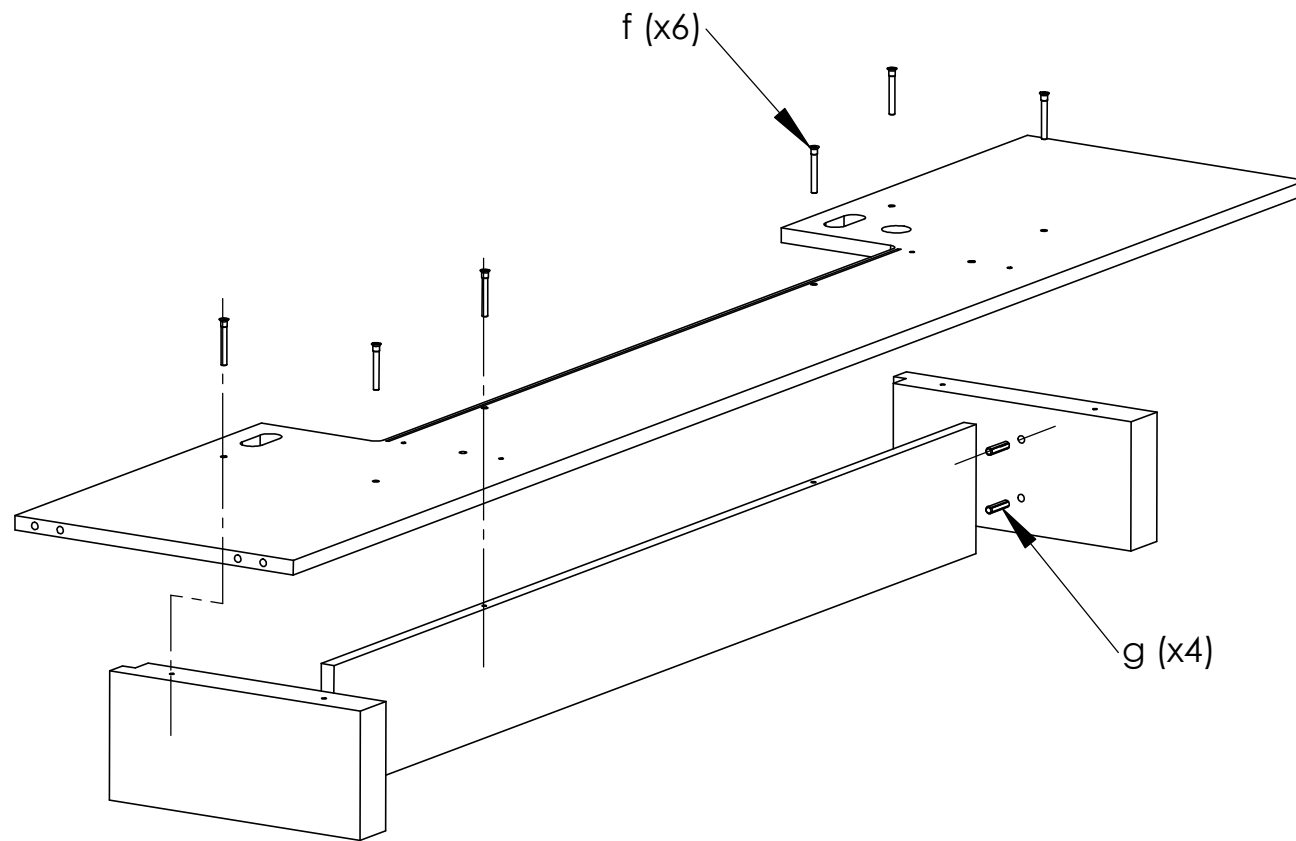
Content

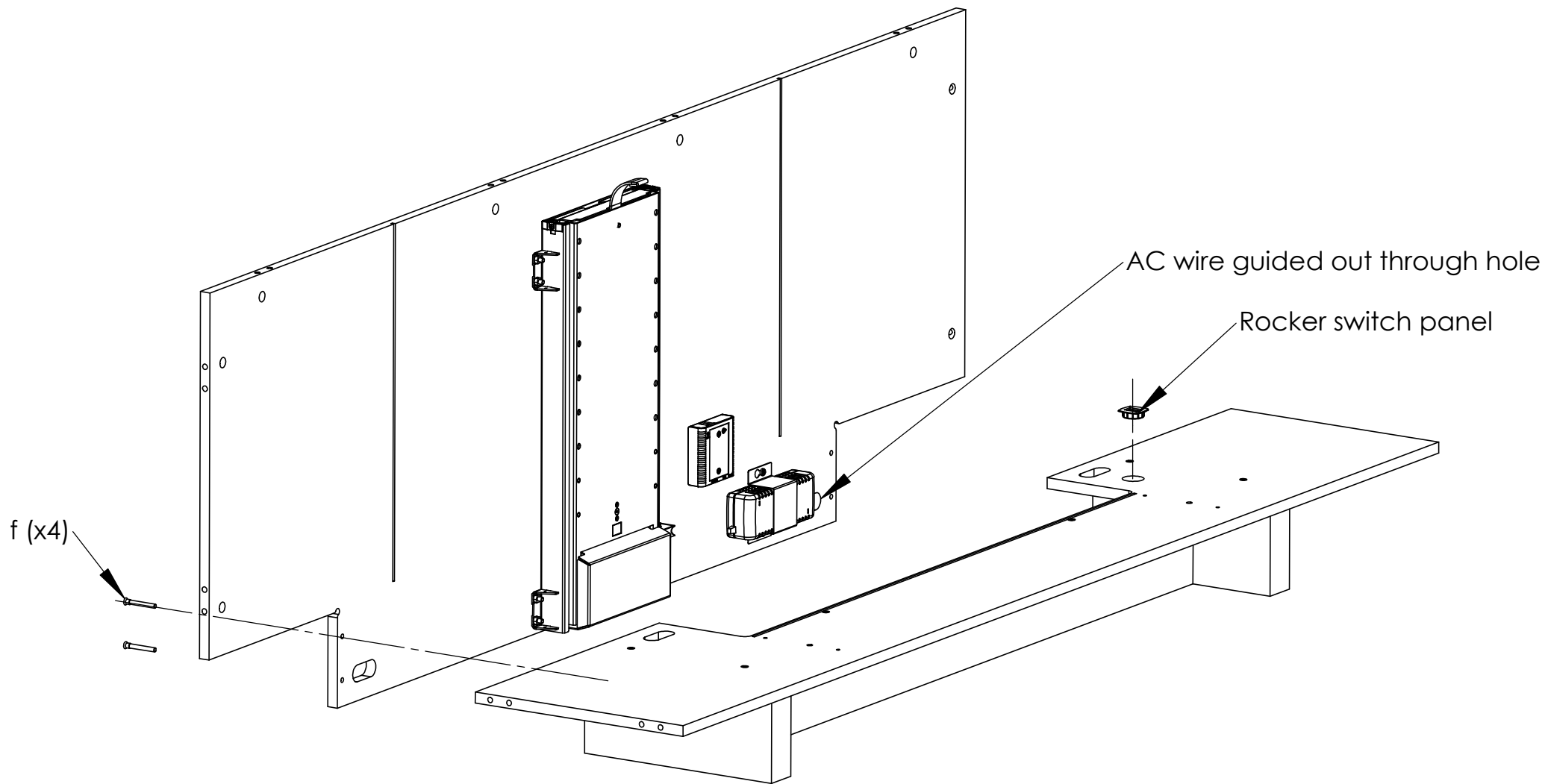
- page 1 mounting of lift
- page 2 mounting of base
- page 3 mounting of lift to cabinet
- page 4 mounting of vertical elements
- page 5 mounting of cover plates
- page 6 mounting of lid
- page 7 mounting of doors
- page 8 overview of mounting bags



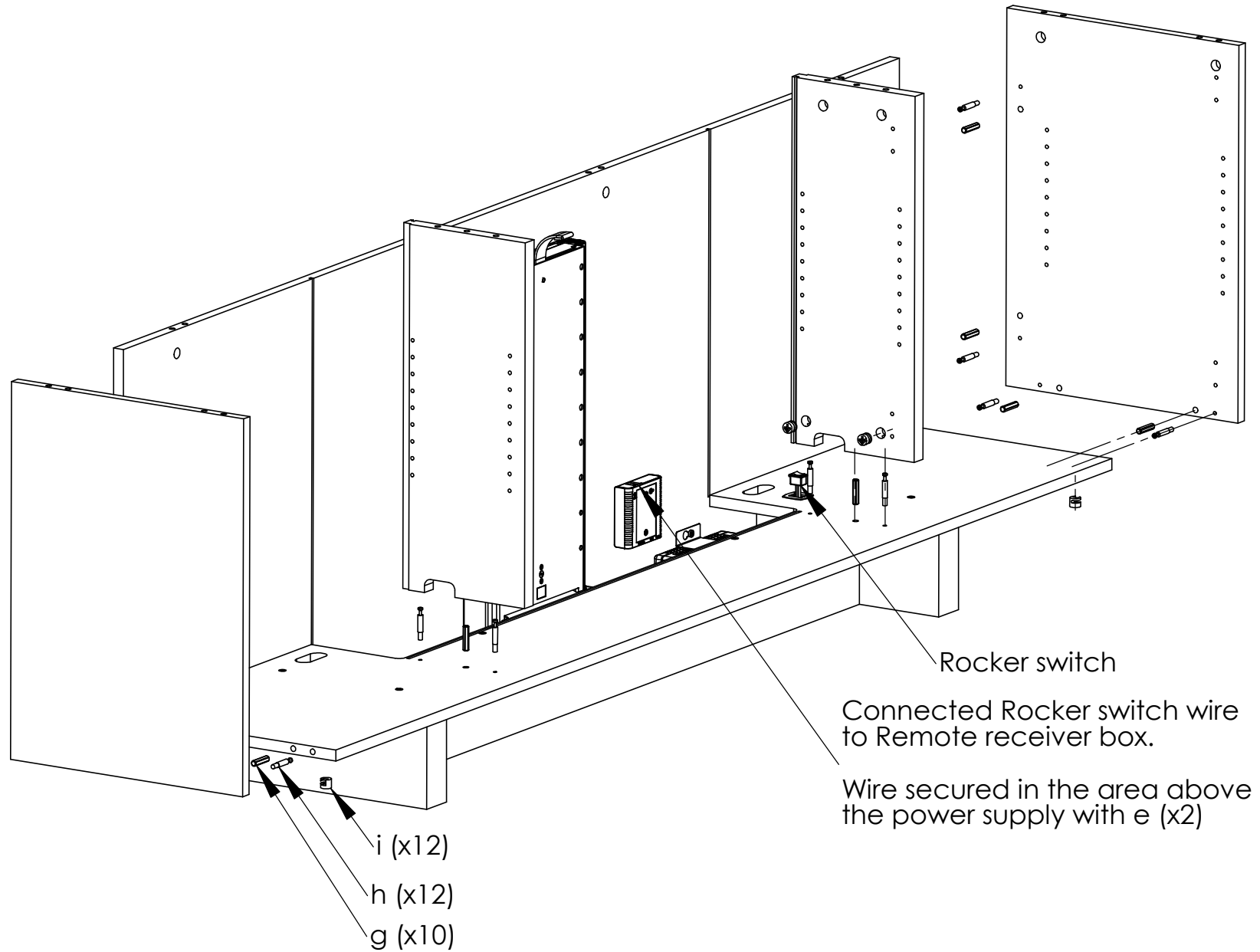


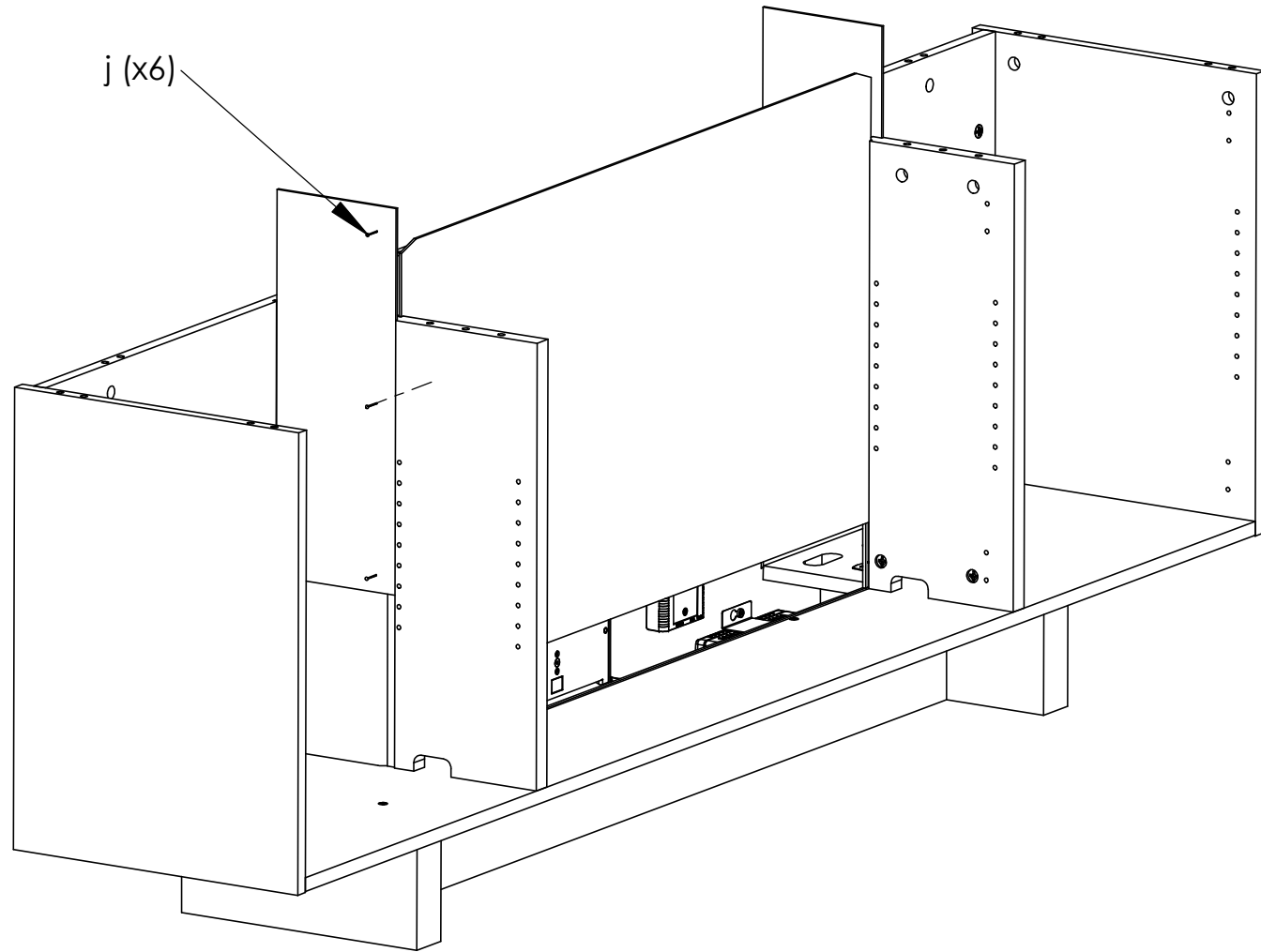
If installing a TS700A in the Cabinet, the receiver box will need to be turned and moved slightly - follow these measures.

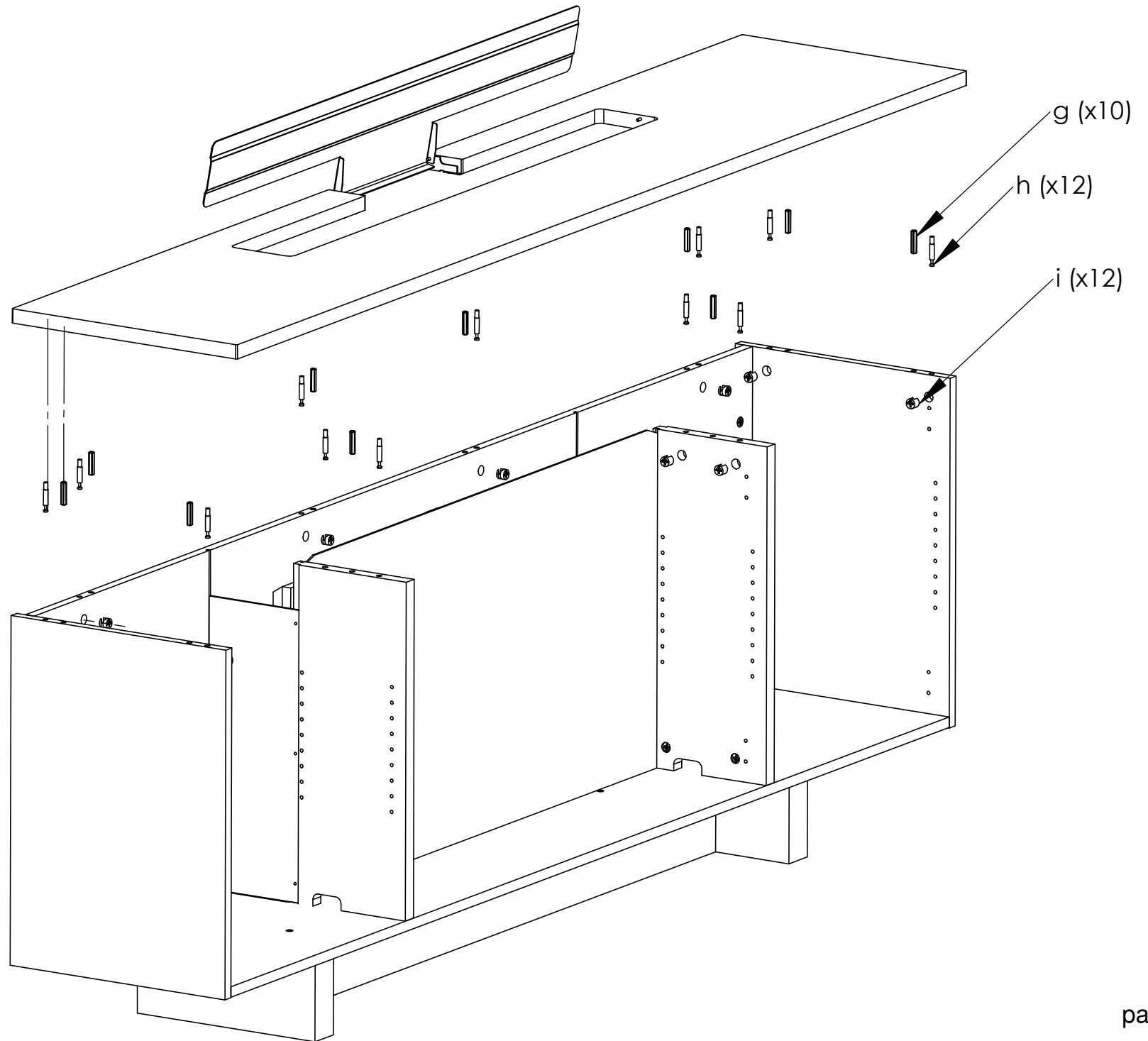


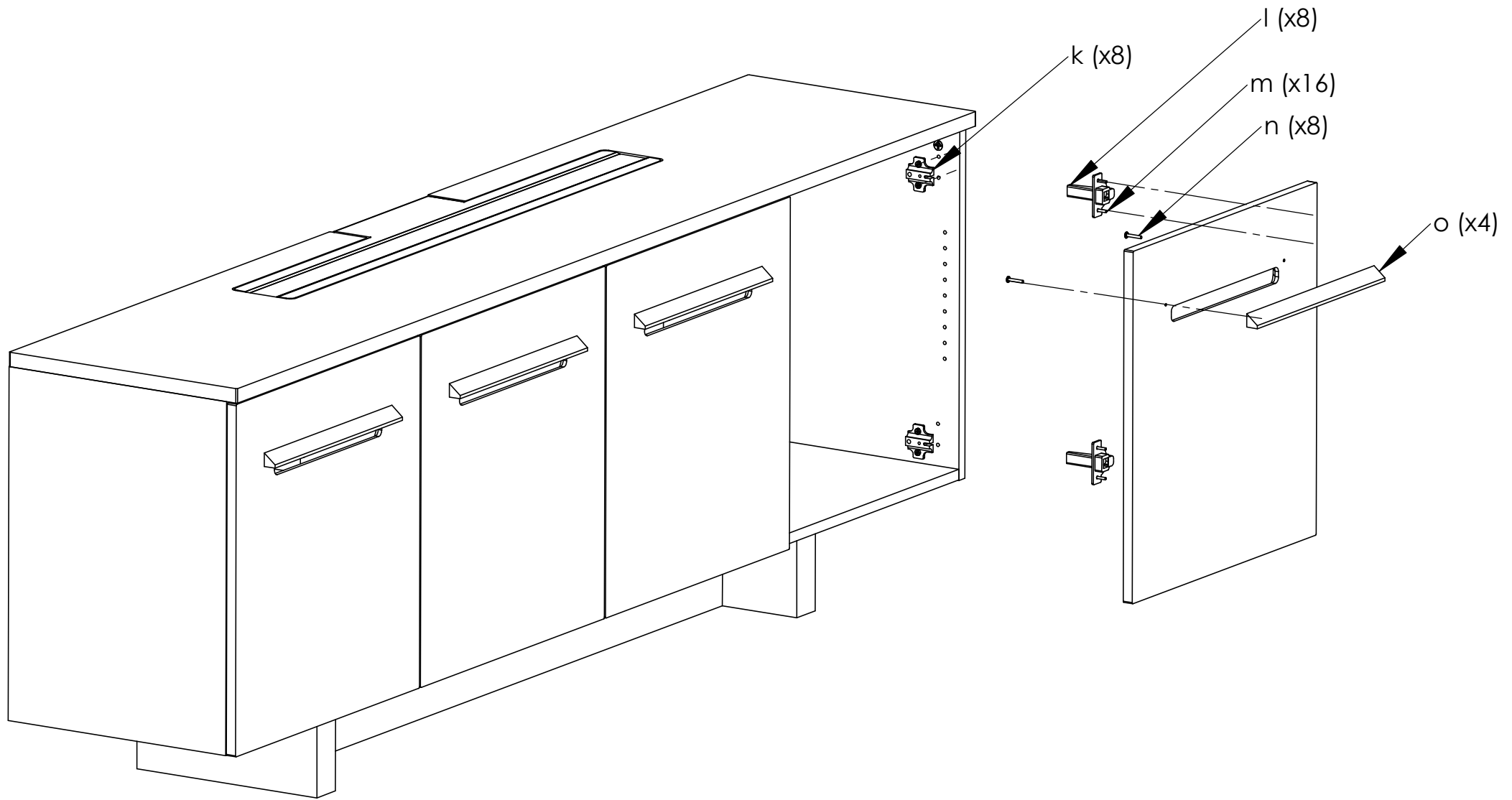


Before moving to next step finalize lift wiring

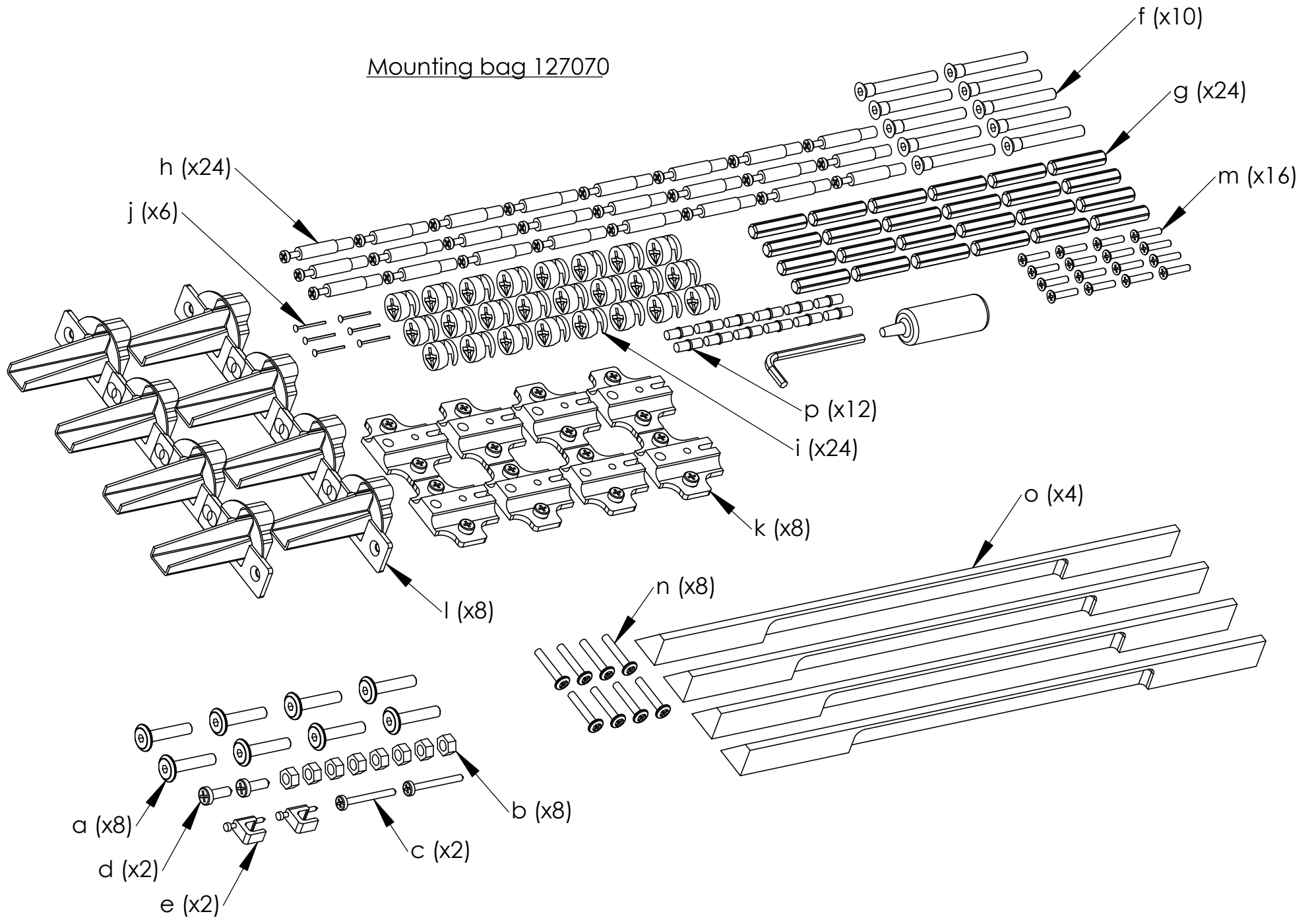








Mounting bag 127070



Mounting bag 127080

Mounting bag 127090