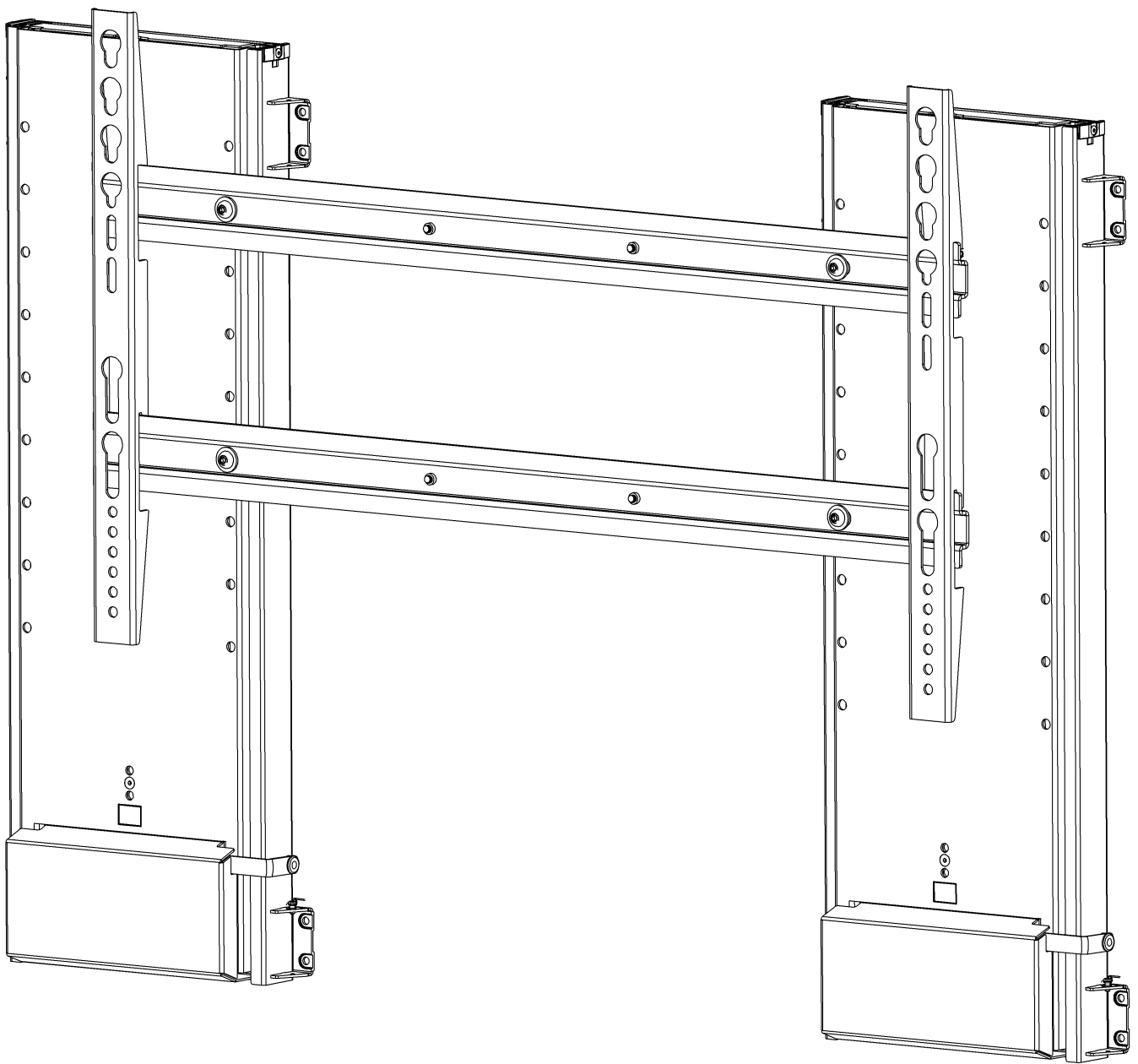


# TS1000C TWIN

Original

360460.0

EN - Usermanual and Assembly Instruction



## TABLE OF CONTENTS

1. Important safety instructions
2. Usage
3. Set up and installation
4. Operation
5. Maintenance and defects
6. Technical data
7. Parts
8. Assembly Instructions
9. Declaration of conformity

### CAUTION!

Before you begin any of the installation procedures, read and follow the warnings and safety instructions.

### WARNING !

THIS IS NOT A TOY !

### CUSTOMER WARNING !

This appliance is sold as a component and should be installed only by a capable adult. It should not be operated by children under 8 years old. Operation by persons of reduced physical, sensory or mental capabilities or with lack of experience and knowledge or by older children should only be allowed if they are given supervision or adequate instruction to use the appliance in a safe way and understand the hazards involved.

## 1. Important safety instructions

Use the following safety guidelines to help protect your lift from potential damage and to ensure your own personal safety.

Read all the installation instructions before testing or installing your lift! Read and follow all safety instructions! The remote control and rocker switch should only be accessible to people in compliance with the "Customer Warning".

To prevent bodily injury, keep hands and clothing away from the lift while the lift is in operation.

Before installing the lift or working with its connections, unplug the lift from the electricity main supply.

Do not install the lift, power supply or R.F. module in places subject to high temperatures for example near a radiator, or heating vent.

The TV lift must only be mounted in a dry area, and it must be ensured before use that the lift is safe or protected from liquid contact or spillage.

To avoid damaging the power supply, R.F. module and power cord, do not put anything on it or place it where it could become damaged.

Unplug the lift in the following conditions:

When the power cord or plug is damaged or frayed.

If the lift or power supply has been exposed to rain or water or any liquid contamination whatsoever.

If the lift exhibits a distinct change in performance, indicating a need for attention.

## 2. Usage

Venset lifts are sold as a component to combine with other products, e.g. With a flatscreen television on its own or combined with a cabinet, both examples would be common usage. It is the responsibility of the installer of the lift to decide if the lift is suitable for their purpose and for any safety aspects concerning their overall product and installation.

**MANUFACTURERS who build this component into other products or use it with other products, MUST make sure to prevent bodily injury. The MANUFACTURER of the final product is responsible to give the end user proper warnings and instructions for use.**

## 3. Set up and installation

See usage.

## 4. Operation

UP/DOWN operation:

Push the buttons for operation up or down

RF emitter R315290



WARNING: FAILURE TO COMPLY WITH OR OBSERVE ALL ASSEMBLY, SAFETY AND OPERATION INSTRUCTIONS AND WARNINGS REGARDING THE USE OF THIS PRODUCT MAY RESULT IN SERIOUS BODILY INJURY.

This is a class III appliance and shall only be used together with a SELV protected type power supply unit with 29Vdc, min. 100W and an overload current of at least 9A

## 5. Maintenance and defects

The lift does not require any maintenance.

The lift is only to be maintained with a damp cloth

In the event of the occurrence of any abnormal noises during operation, STOP using the lift and please contact the dealer.

## 6. Technical data

Frame, materials	Steel, powder lacquered
Weight	46 kg
Width	1086 mm
Depth	74 mm
Height	750-1750 mm
Max. load	100 kg (Right side up) 49 kg (upside down)
Speed	*Dependent on load
Duty cycle	10% by 50% of max. load or max. 2 min. continuously
Operation	Remote or rocker switch
Voltage	100-240 VAC   50/60 Hz
Standby Consumption	< 0,15 Watt

Above specifications may vary depending on local temperature, humidity and input voltage.

## 7. Parts

See page 4.

## 8. Assembly Instructions

See page 5 - 6.

## 9. Feature functions and settings

See page 5 - 12.

## 10. Declaration of conformity

We hereby declare, under our sole responsibility that the following products:

VENSET TV-lift product type TS1000C TWIN is in accordance with - Directive 2006/42/EF of the European Parliament and of the Council of 17 May 2006 on machinery and on changes of directive 95/16/EF With reference to the above please be aware that:

The TV-lift is considered a partly completed machinery and- the TV-lift may not be used until it has been assembled and installed according to the instructions.

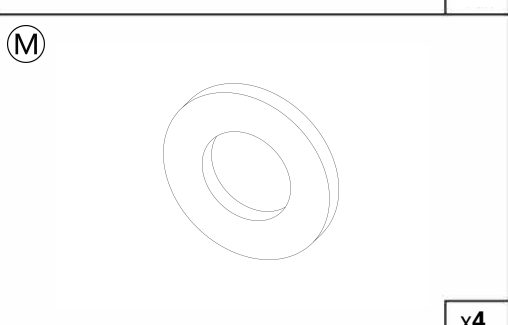
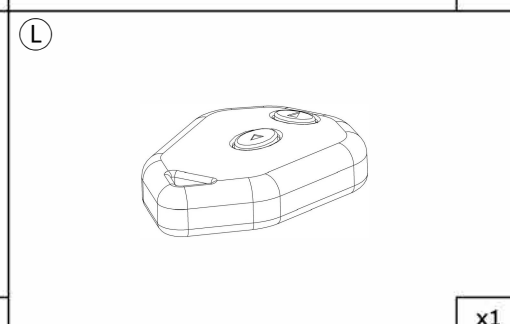
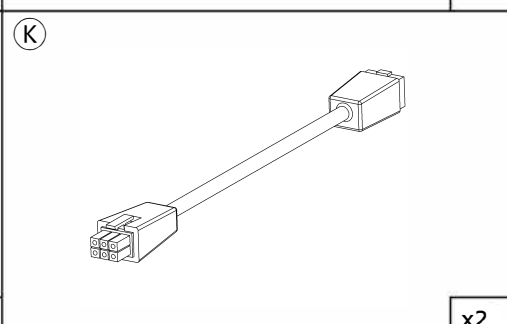
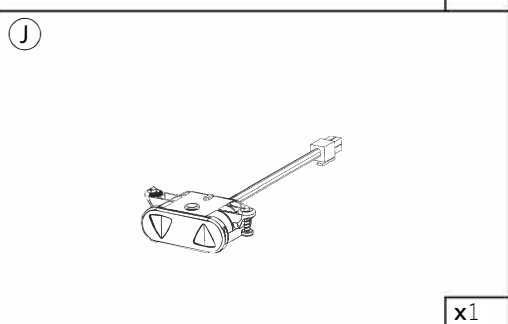
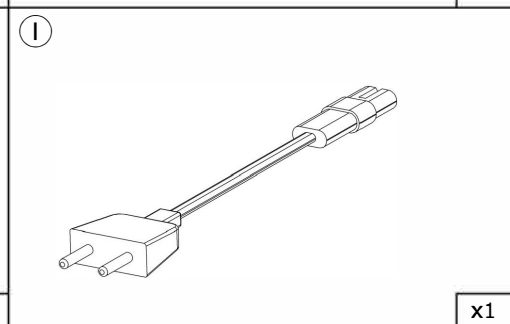
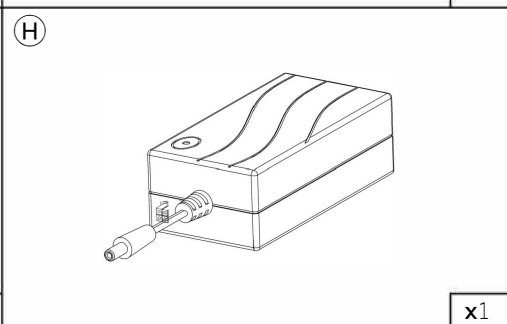
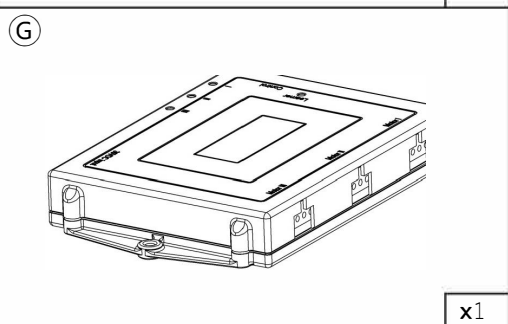
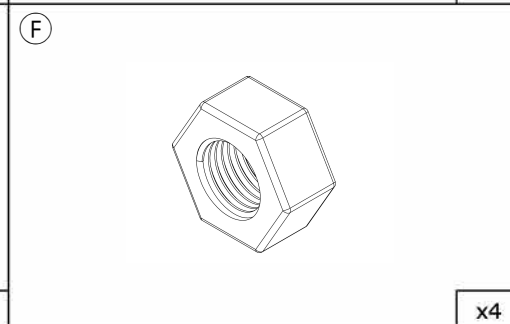
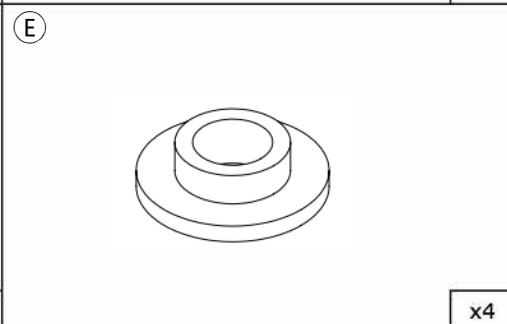
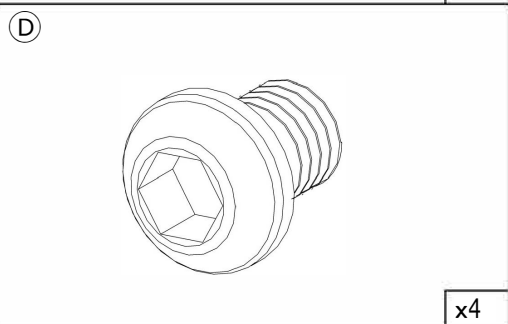
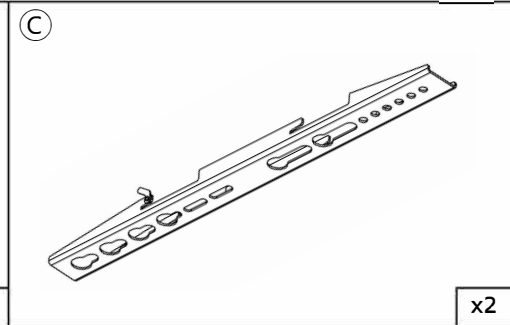
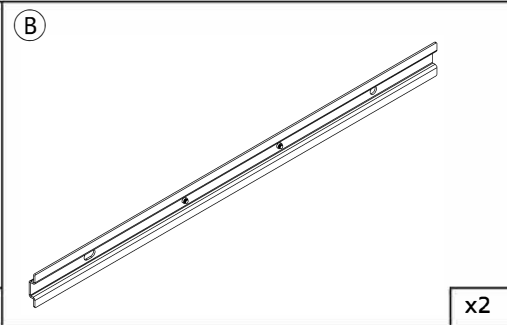
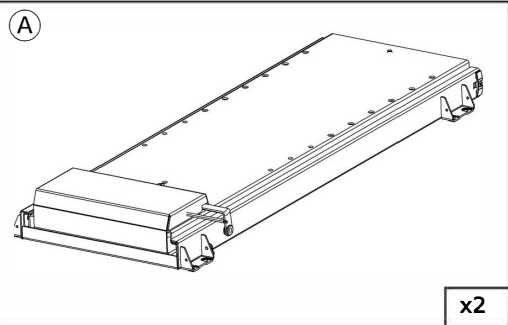
### Manufacturer

VENSET A/S | Industrivej 23 | 6900 Skjern | Denmark  
www.venset.com | Tlf.: +45 97354611 | info@venset.com

**The information in this document is subject to change without notice.**

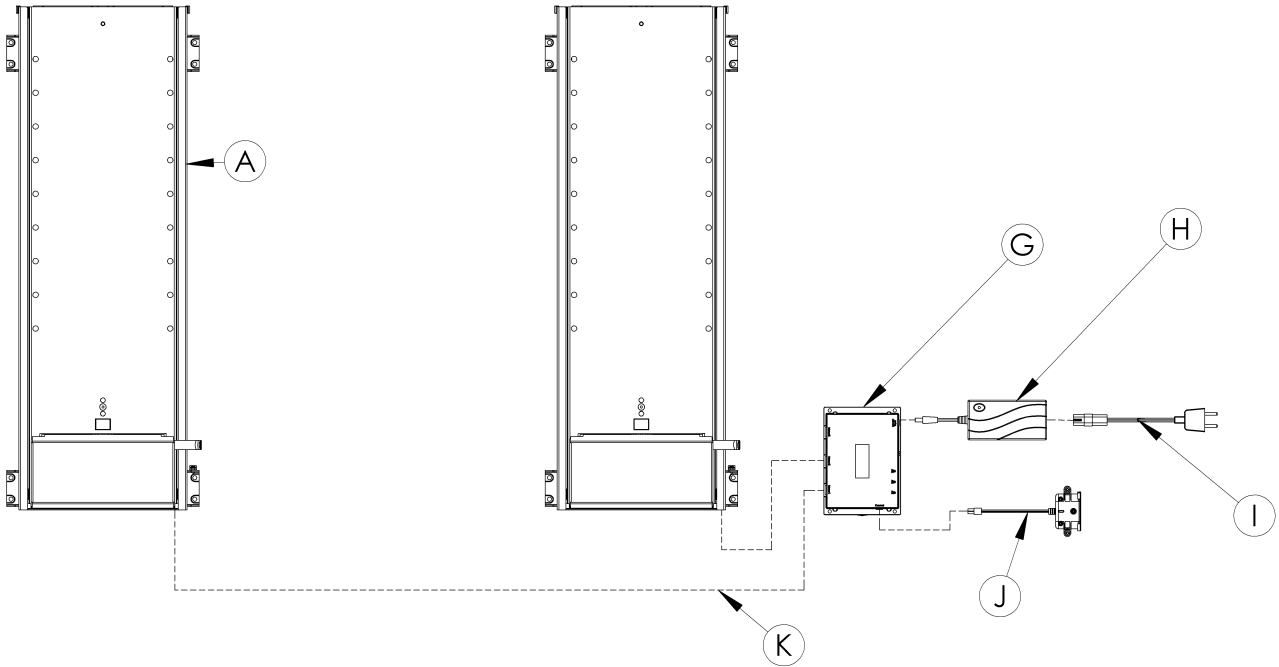
# 1. Parts

EN



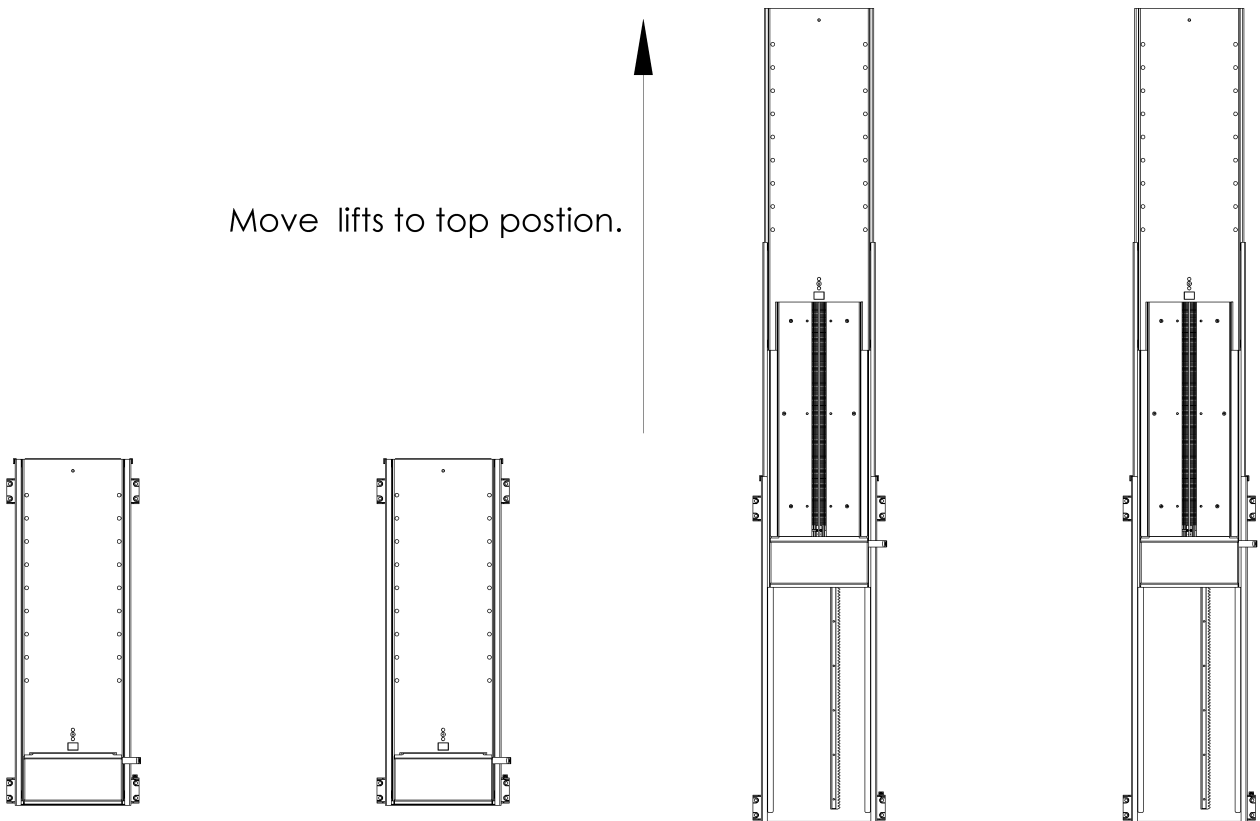
# 1

1. Both lifts must be in the lowest position!
2. Synchronise the movement of the lifts in accordance with the user manual supplied with control kit - POW Control 1-3(7XPOWM)

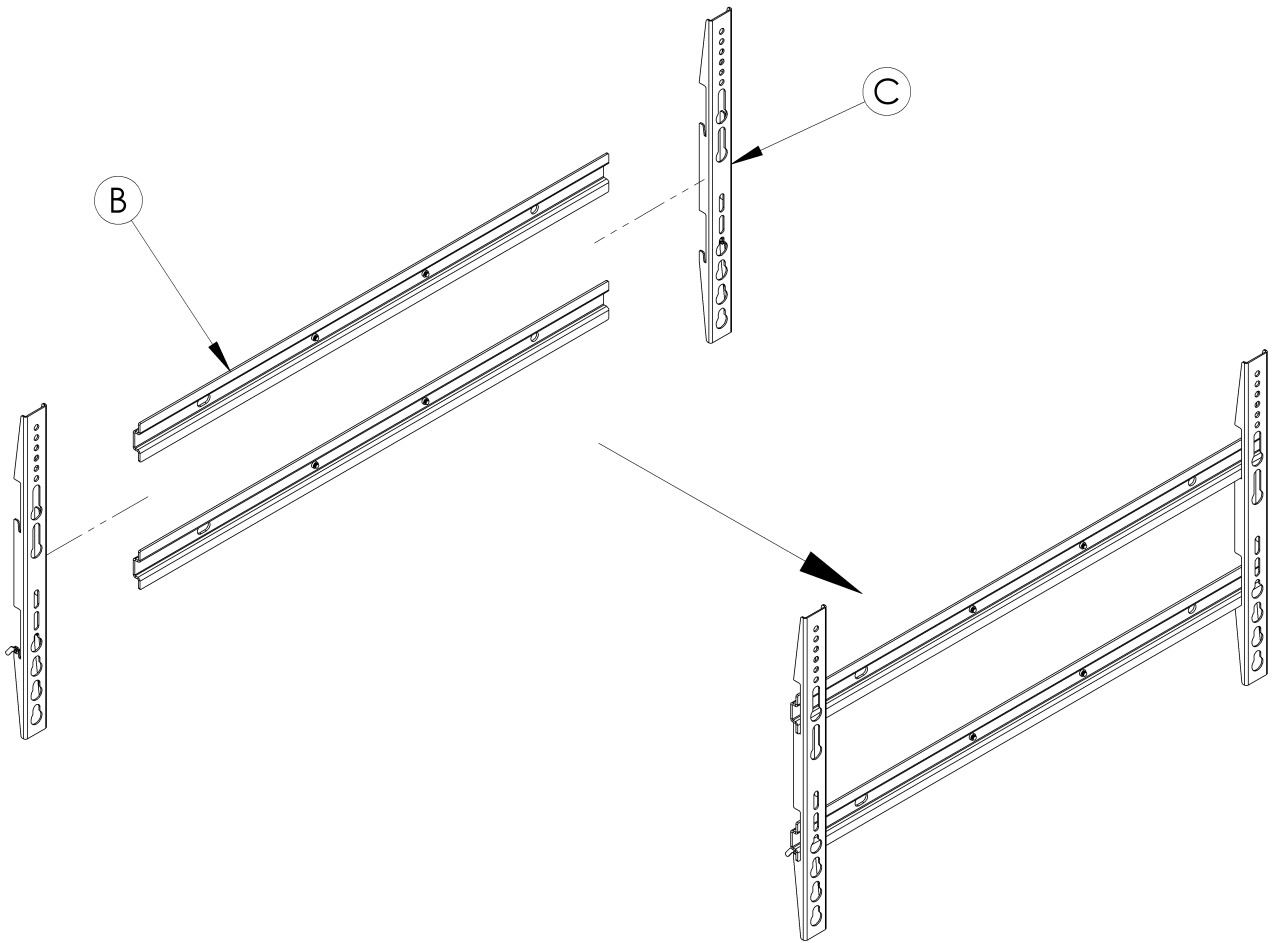


# 2

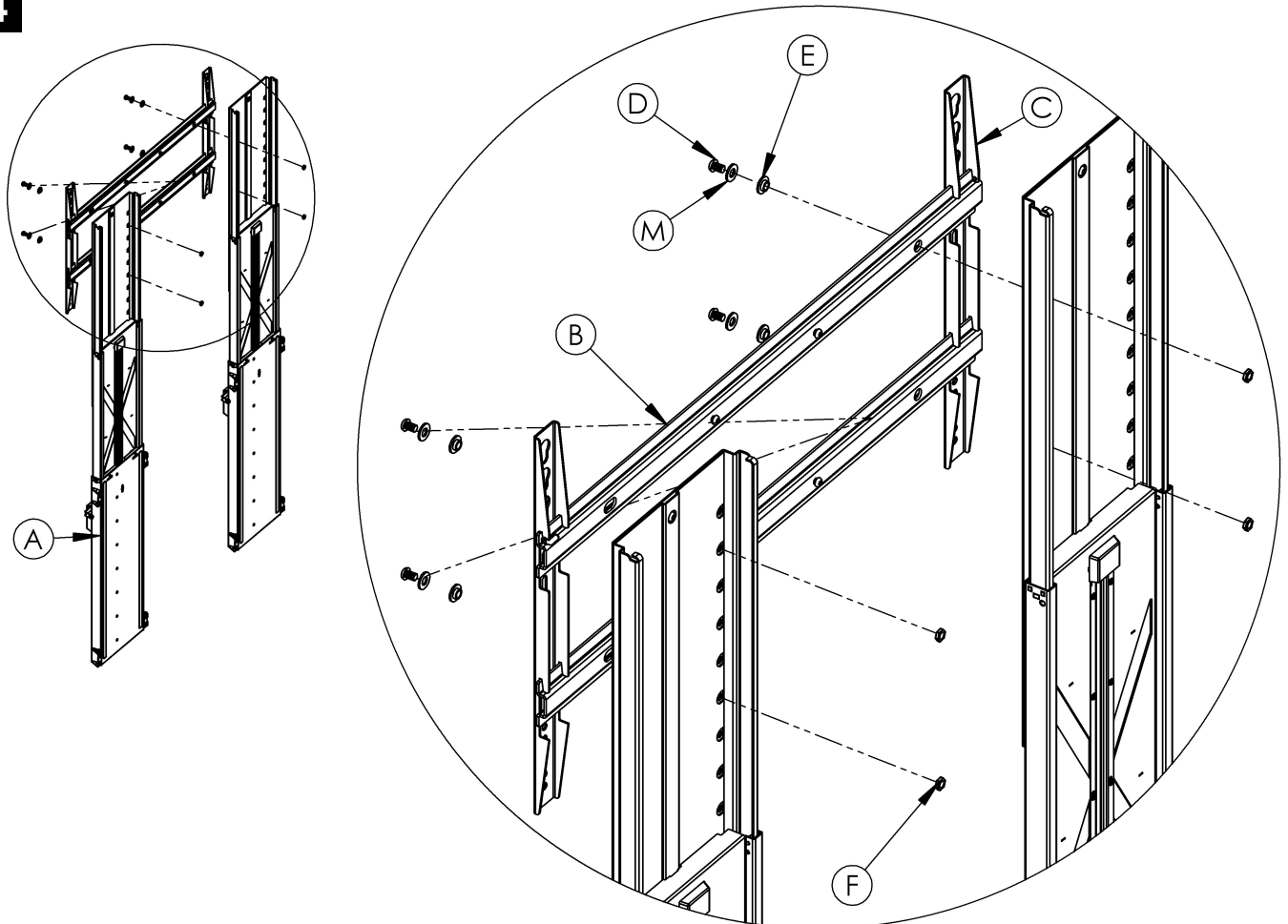
Move lifts to top position.



3



4



**5**

Mount the lift on the mounting surface. The hole placement must be as shown on the picture below. All measurements are in mm. The lifts must be in the lowest position when mounted.

